

600 Air-Cooled Argon Laser System

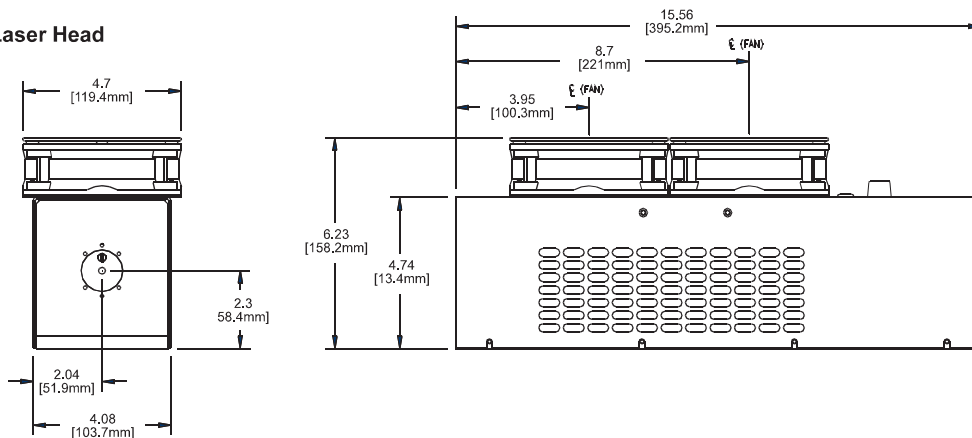
Features

- Superior Beam Quality
- Low Noise
- Internal Mirror Design
- Extended Lifetime
- Designed for Fiber Optic Delivery
- Exceptional Warranty

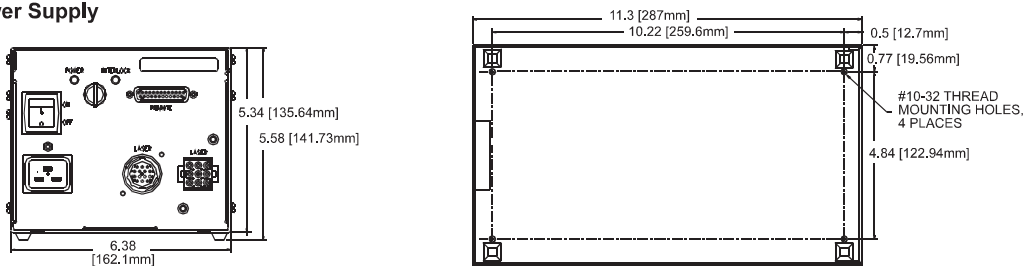
Design

The 600 argon laser has been engineered to meet today's most demanding needs for the mid-power range in OEM applications. Designed in a rectangular package, the 600 provides unparalleled beam quality that is constant across output power levels and through fiber delivery systems. The 600 also offers improved thermal stability, longer life and low electronic and optical noise. The laser incorporates the latest in internal mirror tube technology securing permanent beam alignment and eliminating contamination. NLC's design permits ease of servicing and simple, drop-in laser tube replacement.

600 Laser Head



Power Supply



All dimensions in inches [mm]



600 Specifications

Applications

- Ultra High Speed Laser Printing
- Optical Disk Mastering
- Flow Cytometry
- DNA Sequencing
- Confocal Microscopy
- Spectroscopy
- Hematology
- Basic Research

Product Specifications^{1,2,3}

	600BL	600AL	600AM
Wavelength	488nm	458-514nm	458-514nm
Output Power	40mW	100mW	200mW
Power Stability (over 2 hours)	±1%	±1%	±1%
Spatial Mode	TEM ₀₀	TEM ₀₀	Multimode
M ²	≤1.2	≤1.2	
Beam Diameter @ 1/e ² (mm)	0.70±5%	0.75±5%	0.80±5%
Beam Divergence (mrad)	<1.0	<1.0	<2.4
Polarization Ratio	>250:1	>250:1	Random
Pointing Stability over 2 hours (μrad)	±30/±3°C	±30/±3°C	±30/±3°C
Noise (20Hz - 2kHz peak to peak)	0.1%	0.1%	0.1%
Noise (20Hz - 20kHz peak to peak)	1.0%	1.0%	1.0%
Noise (20Hz - 2MHz rms)	1.0%	1.0%	1.0%

Operating Parameters

Voltage (Universal Input)	200-240VAC±10%
Current	16 Amps Max.
Frequency	47-63 Hz
Phase	Single
Air Intake	216 CFM
Air Intake Clearance	2.5cm (1in)
Operating Temperature / Humidity	4-40°C (40-105°F) / ≤90%
Storage Temperature / Humidity	-30-60°C (-22-140°F) / ≤100%
Warm-up Period	10 min.

Dimensions

Laser Head	15.56" x 4.7" x 6.23"
Power Supply	11.3" x 6.38" x 5.58"

Weights

Laser Head	12.5 lbs (5.8 kg)
Power Supply	7 lbs (3.18 kg)

Notes

1. Specifications subject to change without notice.
2. When used with LDI 8470 or NLC2270 power supply.
3. Measurements taken in light control after 5 minute warm-up.

