

# NLC Refurbished LGK Air-Cooled Argon-ion Laser

---

## User's Manual

Complete with Operating Instructions  
for the LGN 7872, LDI 9471 and  
NLC 2271 Power Supply



## TABLE OF CONTENTS

<b>CHAPTER 1: LASER SAFETY</b>	<b>1</b>
CENTER FOR DEVICES AND RADIOLOGICAL HEALTH (CDRH) COMPLIANCE REQUIREMENTS	1
MAINTENANCE REQUIRED TO KEEP THIS LASER PRODUCT IN COMPLIANCE WITH CENTER FOR DEVICES AND RADIOLOGICAL HEALTH (CDRH) REGULATIONS	1
PRECAUTIONS FOR SAFE OPERATION OF CLASS 3b - MEDIUM POWER LASERS	2
PRECAUTIONS FOR SAFE OPERATION OF THE LGN 7872-02, LDI 9471-01 AND NLC 2271 POWER SUPPLY	2
CDRH CONTROL DRAWINGS	4
<b>CHAPTER 2: NLC REFURBISHED LGK PRODUCT LINE</b>	<b>7</b>
HANDLING & SHIPPING	7
MOUNTING & COOLING	8
CONNECTIONS	8
ENERGIZING THE LASER	11
TURNING OFF THE LASER	11
REFURBISHED LGK PRODUCT LINE SPECIFICATIONS	12
REFURBISHED LGK PRODUCT LINE DIMENSIONS	13
LDI 9471-01 POWER SUPPLY DIMENSIONS	14
<b>CHAPTER 3: TROUBLESHOOTING GUIDE</b>	<b>15</b>
<b>CHAPTER 4: CUSTOMER SERVICE</b>	<b>16</b>
CUSTOMER SERVICE DEPARTMENT	16
WARRANTY INFORMATION	16
RETURNS, ADJUSTMENTS AND SERVICING	17

**CENTER FOR DEVICES AND RADIOLOGICAL HEALTH (CDRH) COMPLIANCE REQUIREMENTS**

The following laser component conforms to the safety specifications and performance standards required of Class 3b lasers as defined by the Center for Devices and Radiological Health (CDRH)

*-The National Laser Company Refurbished LGK Product Line*

**MAINTENANCE REQUIRED TO KEEP THIS LASER PRODUCT IN COMPLIANCE WITH CENTER FOR DEVICES AND RADIOLOGICAL HEALTH (CDRH) REGULATIONS**

The NLC refurbished LGK product line complies with Title 21 of the United States Code of Federal Regulations, Chapter 1, Subchapter J, Parts 1040.10 and 1040.11, as applicable. To maintain compliance, the operation of all features listed here should be verified annually or whenever the NLC refurbished LGK product line is subjected to adverse conditions.

1. Verify the beam attenuator (mechanical shutter) actually blocks exposure to laser radiation. If not, call the National Laser Company Customer Service Department (See Chapter 5)
2. Verify that the laser head has not been modified in any way. Modifications made to an NLC laser head violate compliance with CDRH standards and may also void any warranties.

## **WARNING:**

The use of controls, adjustments or performance of procedures other than those specified herein may result in hazardous radiation exposure. The NLC refurbished LGK product line is a Class 3b - medium power laser whose beam is, by definition, a safety hazard. Avoid viewing the beam directly, or as reflected by a mirror or other polished surface. The refurbished LGK product line, when used in conjunction with compatible power supplies contains circuits that operate at dangerous voltages and current levels. **Avoid touching high voltage terminals or components. Internal measurements and/or adjustments should be made by qualified personnel only.**

## **PRECAUTIONS FOR SAFE OPERATION OF CLASS 3b - MEDIUM POWER LASERS**

1. Establish a controlled area for laser operation: limit access to those trained in the principles of laser safety.
2. Post warning signs prominently near entrances to the laser operation area.
3. Set up shields to prevent the beam from escaping the laser operation area.
4. Set up a target to block the beam after it passes through the operating area.
5. Keep the protective cover on the laser head during operation.
6. Enclose the beam path whenever possible.
7. Keep the laser beam either above or below eye level.
8. Do not look at the beam directly or as reflected by a mirror or polished surface.

## **PRECAUTIONS FOR SAFE OPERATION OF THE LGN 7872-02, LDI 9471-01 AND NLC 2271 POWER SUPPLY**

1. In the final installation, the mains primary signals and ELV secondary signals of the "Mains", "Laser", and "Interface" connectors on the front panel must be isolated from the operator and accessible by SELV circuits.
  - PRI = Primary Reference (Hazardous)
  - ELV = Extra Low Voltage
  - SELV = Safety Extra Low Voltage

2. A minimum of an approved method of reinforced or double insulation must be between any primary (PRI) hazardous and any extra low voltage (ELV) or safety extra low voltage (SELV) source at the connectors of the power supply.
3. Supplemental insulation is required between any ELV circuits and any user accessible circuits.
4. The electrical hazards of the power supply are the same as other electrical systems connected to the AC power line. Only a qualified technician should install the power supply. There are **NO** user serviceable parts within the power supply, therefore the cover of the power supply and any connected component should never be opened, as hazardous voltages may be present after the unit has been turned off.



Figure 2.1 Standard Safety Warning Label

**WARNING!:** The energy level of the laser beam is high enough to cause serious damage to the eye with possible loss of vision if the beam were to pass directly into the eye!

### **CDRH CONTROL DRAWINGS**

The following labels are found on the NLC refurbished LGK product line. These labels are important in identifying potential safety hazards and are in conformance to CDRH labeling requirements.



1. Aperture Label



2. Cover Avoid Exposure



3. Class 3b Danger



4. Danger Open Cover Class 3b



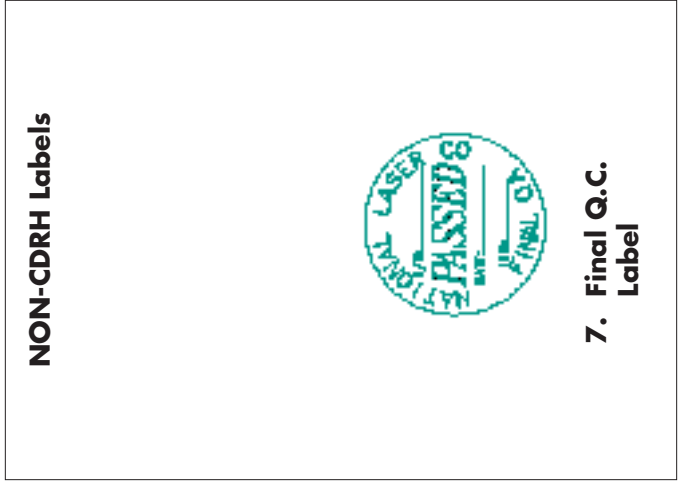
5. Model & Serial Number



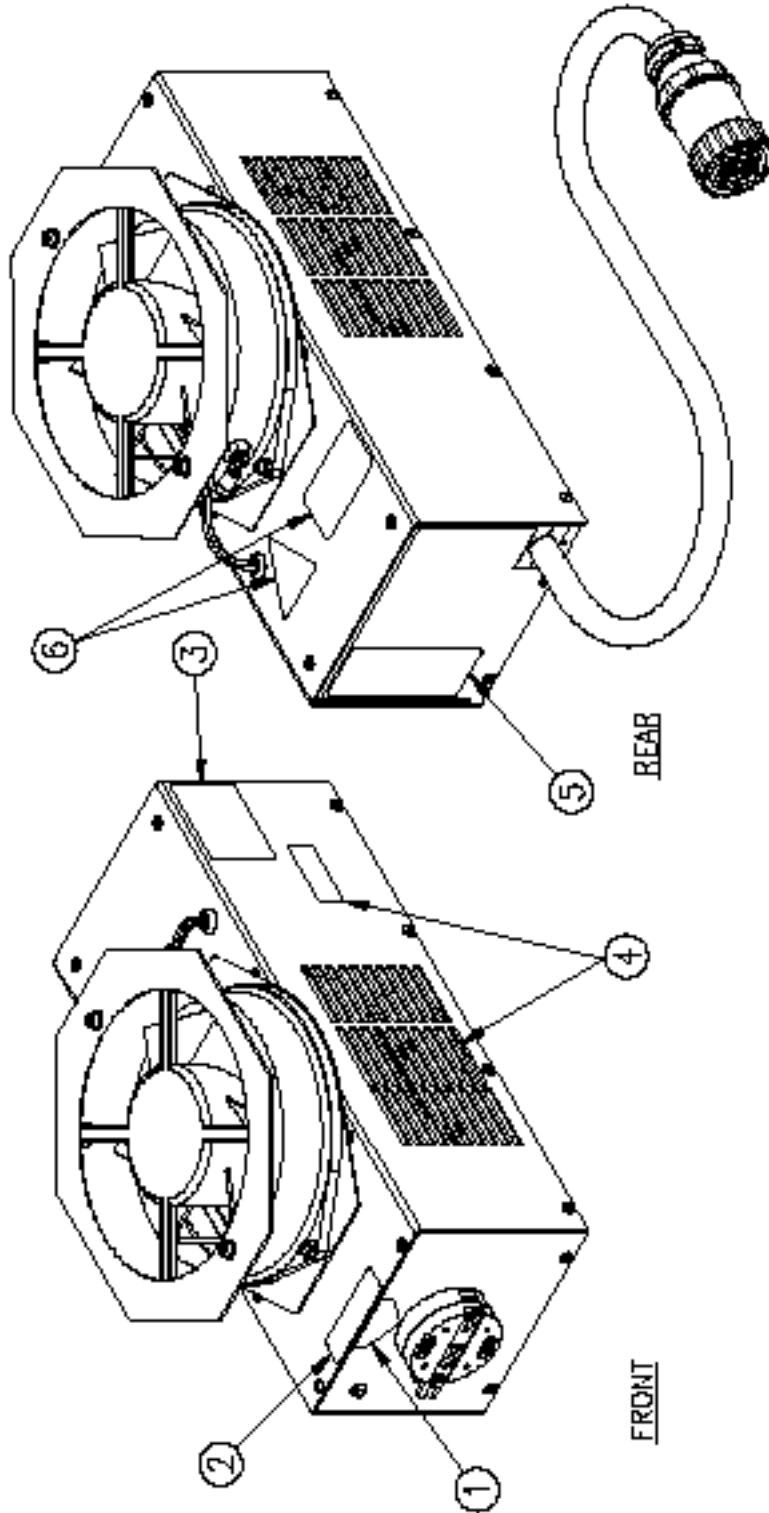
6. CE Warning Labels Class 3b



7. Final Q.C. Label



**NLC REFURBISHED LGK PRODUCT LINE LABELS**



**NLC REFURBISHED LGK PRODUCT LINE  
LABEL ILLUSTRATION**



This chapter contains information on the installation and operation of the National Laser Company (NLC) refurbished LGK product line of laser heads. The LGK laser has been designed for use in specific equipment and should be mounted and cooled according to OEM procedure. Installation and service should only be performed by a qualified technician. The LGN 7872-02, LDI 9471-01 and NLC 2271-01 power supplies will be referenced as compatible power supplies designed to run the LGK laser. Information regarding the specifications of the NLC refurbished LGK product line will also be given in this chapter. Figure 3.1 shows the NLC refurbished LGK Laser.



Figure 3.1 The NLC Refurbished LGK Laser

**HANDLING AND SHIPPING**

When unpacking and carrying any laser head, lift it by the bottom base plate, and not by its fan, cover, or umbilical cord.

We recommend storing the container in which the LGK laser was shipped for future use. The container was specially designed to cushion laser equipment and prevent damage during shipment. If you need to return the laser head for service, the specially designed container will provide adequate protection.

## MOUNTING & COOLING

The NLC refurbished LGK product line of lasers should be mounted according to OEM procedure. Allow clearance for air intake at the sides and air exhaust at the top. Be sure to provide access to the mechanical shutter on the front of the laser. Mounting dimensions for the laser head is shown on the "General Layout Drawing" at the end of this chapter. The LGK laser is air-cooled. Fans draw cooling air through the openings at each side of the laser head and exhausts warm air through the head cover.

## CONNECTIONS

Note: References made to the LDI 9471-01 power supply also apply to the LGN 7872-02 and NLC 2271-01 Power Supply.

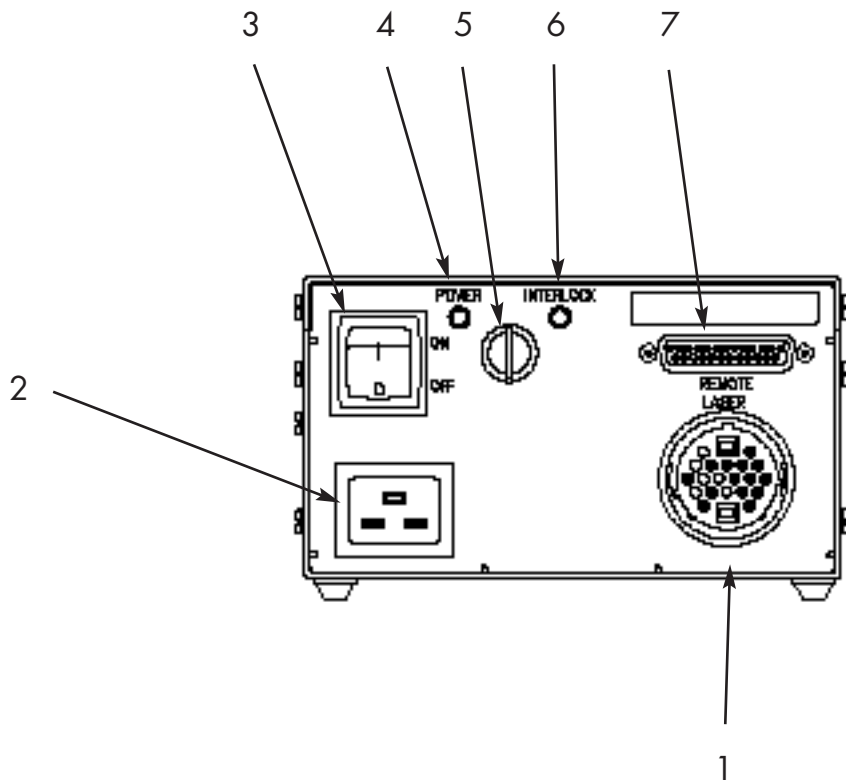


Figure 3.2 Front Panel Controls, Indicators and Connectors on the LDI 9471-01 Power Supply

<b>Location</b>	<b>Panel Description</b>	<b>Function</b>
1	LASER HEAD (Connector)	Receptacle for laser head umbilical cable.
2	200 - 240VAC Input	Mains power cord.
3	POWER (Switch)	Mains power switch. Before activating this switch, ensure the LASER ON keyswitch (location 5) is in the OFF (rotated fully CCW) position and the INTERLOCK chain is complete. The mains power switch is activated by pressing the top of the rocker (marked "1"). This enables the INTERLOCK checking circuitry, lights the mains POWER light (location 4) and provides power to the laser head and power supply fans.
4	POWER (Red LED)	Indicates the mains POWER switch has been activated.
5	LASER ON (Key Switch)	Enables the laser discharge circuitry when rotated clockwise if the INTERLOCK chain is complete and the mains POWER switch is activated (in that order). It is a safety requirement that the key cannot be removed while the switch is activated.
6	INTERLOCK (Green LED)	Indicates the interlock chain is complete.
7	REMOTE INTERFACE (Connector)	Receptacle for remote control cable. (see Table 3.2 for pin connections)

Table 3.1 Front Panel Controls, Indicators, and Connectors on the LDI 9471-01 Series Power Supply

Location	Status	Function
1	SELV	Interlock
2*	SELV	Discharge: Enable/Off
3	SELV	Interlock
4*	SELV	Standby: Run/Idle
5*	SELV	Mode: Photo/Current
6	SELV	Current Control Input
7	SELV	Photo Control Input
8	SELV	mW Output Sense
9	SELV	Current Output Sense
10	SELV	Ground - Common
11	SELV	Ground - Common
12	SELV	-15 Volts DC, 20mA Maximum
13	SELV	+15 Volts DC, 20mA Maximum
14	SELV	Ground - Common
15	SELV	No Connection
16	SELV	Display Signal (mW Sense Divided by 10)
17	SELV	No Connection
18	SELV	No Connection
19	SELV	No Connection
20	SELV	Ground - Common
21	SELV	Ground - Common
22	SELV	Ground - Common
23*	SELV	No Connection (Optional Remote On/Off Switch)
24	SELV	Ground - Common
25	SELV	Ground - Protective Earth

Table 3.2 Remote Interface Pin Connections for the LDI 9471-01 Power Supply

\*These pins are digital inputs. Each input has a "pull up" resistor to the internal +15 vdc buss. A logic '1' (high) is "open circuit" or between +12 and +15 vdc. A logic '0' (low) is "shorted" to GROUND or between 0 and +3 vdc. These inputs are compatible with "open collector" TTL outputs or CMOS outputs (when CMOS gates are operated from a +15 vdc supply), mechanical switches and relay contacts. However, they are most typically operated in a "hard wired" condition using manually placed shorting jumpers.

The power supply should never be energized unless the laser head is connected. Make sure that the key and rocker switch are turned to their off positions before making any connections.

Plug the umbilical cables from the laser head into the umbilical connector (this connector is marked "**LASER**" on the 9471-01 power supply. Make sure the locking ring is secure on the connector.

### **ENERGIZING THE LASER**

Electronic controls on the power supply make start-up and operation of the NLC refurbished LGK safe and nearly automatic. The laser must be plugged into the host system for laser operation. The front panel on the power supply's controls and indicators are shown in Figure 3.2 and explained in Table 3.1.

1. Set the power supply controls as follows:  
POWER switch            0 (OFF)  
LASER ON switch        Fully CCW (OFF)
2. Open the mechanical output shutter.
3. Turn the Power switch ON. Check that the fan in the power supply is operating, and both the LED's are on.
4. Verify the laser fan is operating and drawing air through the laser head.
5. Turn the LASER ON key switch fully CW. (ON)
6. There should be an output beam from the laser within 20-40 seconds.

### **TURNING OFF THE LASER**

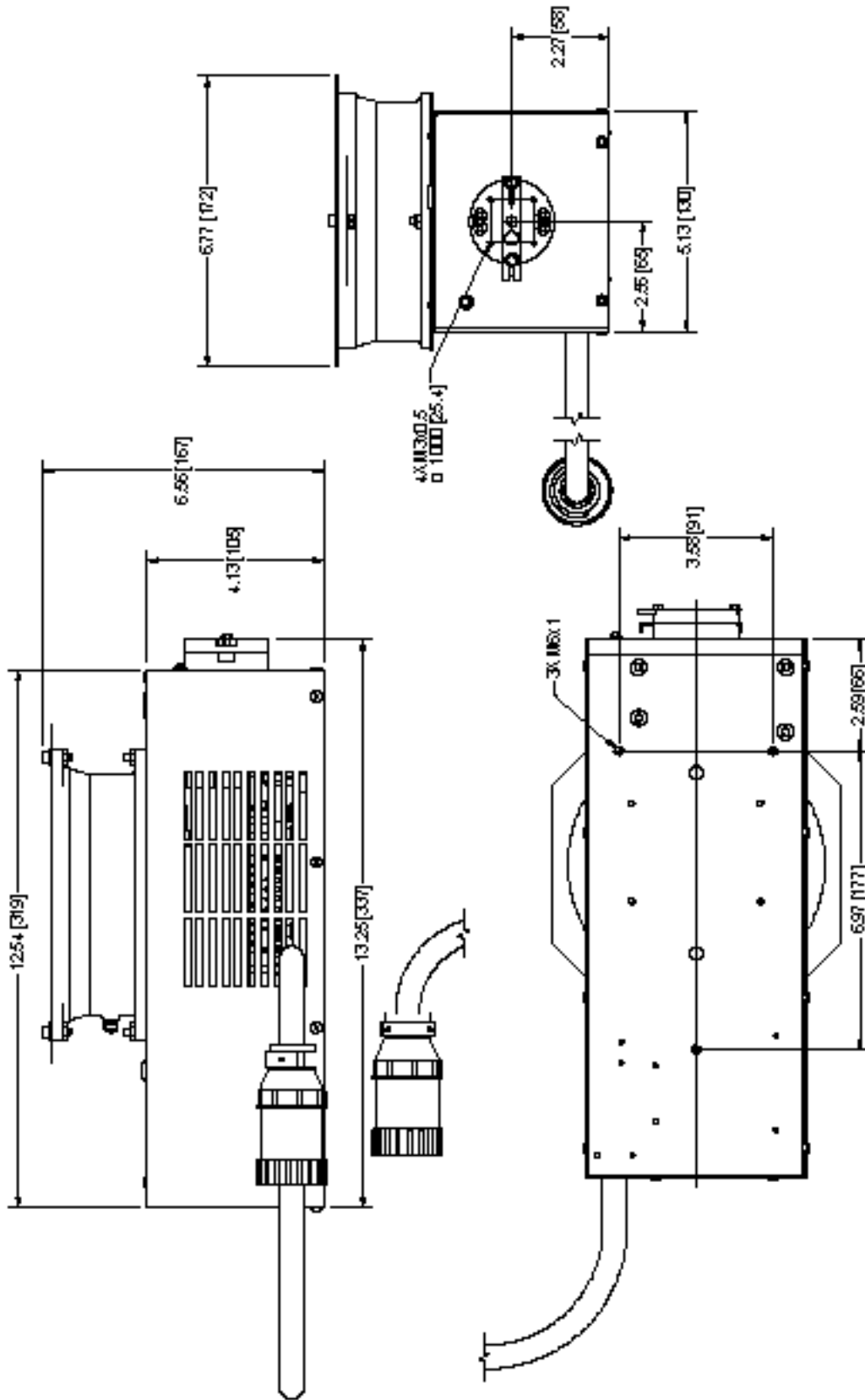
1. Turn the LASER ON key switch fully CCW. (OFF)
2. Wait several minutes while the fans cool the laser and power supply.
3. Turn off the POWER switch.

## NLC Refurbished LGK Product Line Specifications

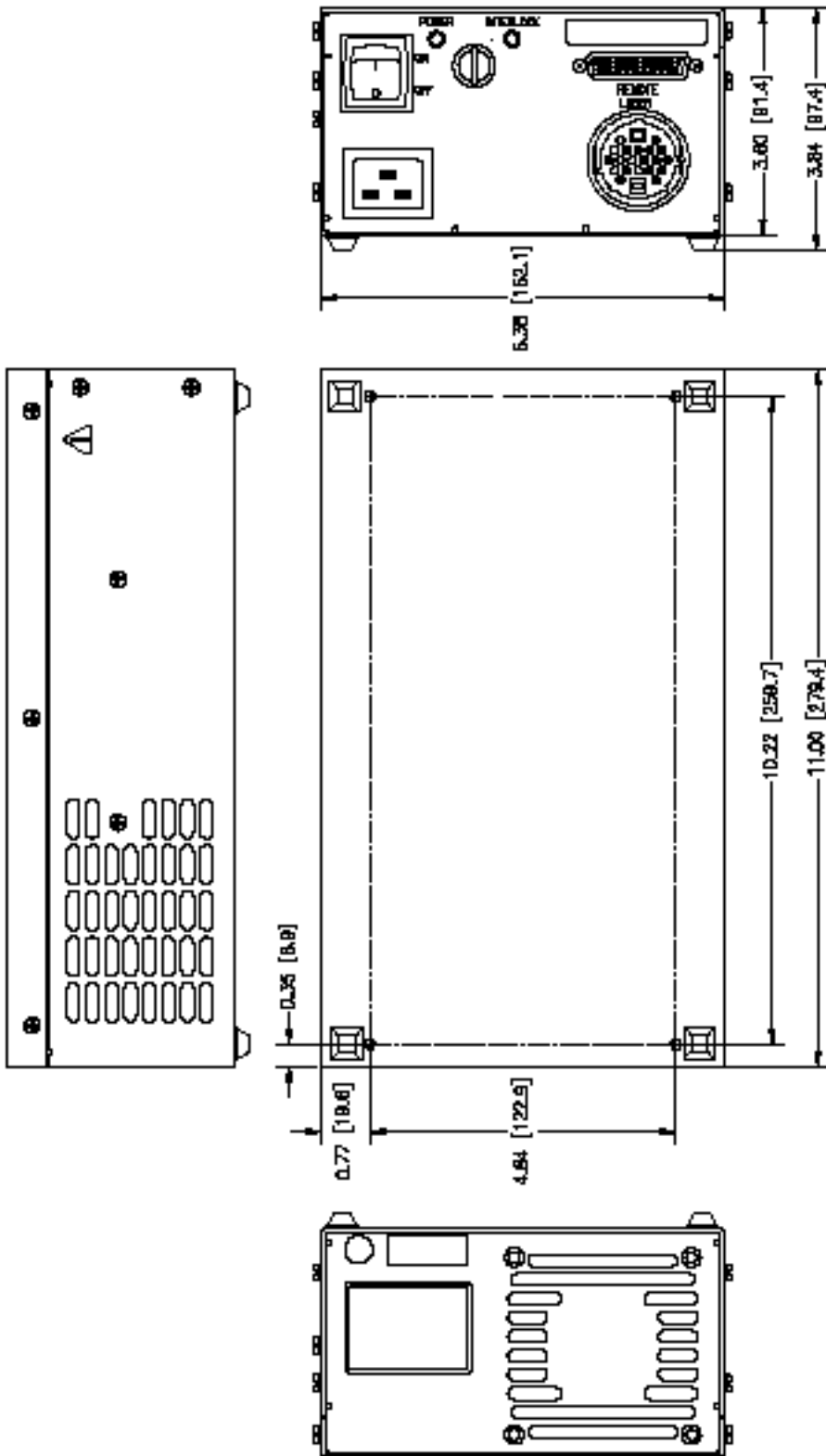
Product Specifications <sup>1,2,3</sup>	HLGKDL
Wavelength	458/514nm
Output Power	4/10mW
Power Stability (over 2 hours)	±1%
Spatial Mode	TEM <sub>00</sub>
M <sup>2</sup>	≤1.2
Beam Diameter @ 1/e <sup>2</sup> (mm)	0.69±5%
Beam Divergence (mrad)	<1.1
Polarization Ratio	>250:1
Pointing Stability over 2 hours (μrad)	±30/±3°C
Noise (20Hz - 2kHz peak to peak)	0.1%
Noise (20Hz - 20kHz peak to peak)	1.0%
Noise (20Hz - 2MHz rms)	1.0%
<b>Operating Parameters</b>	
Voltage (Universal Input)	200-240VAC±10%
Current	16 Amps Max.
Frequency	47-63 Hz
Phase	Single
Air Intake (Large)	225 CFM
Air Intake Clearance	2.5cm (1in)
Operating Temperature / Humidity	4-40°C (40-105°F) / ≤90%
Storage Temperature / Humidity	-30-60°C (-22-140°F) / ≤100%
Warm-up Period	10 min.
<b>Dimensions</b>	
Laser Head	13.3" x 6.8" x 6.6"
Power Supply	11" x 6.38" x 3.85"
<b>Weights</b>	
Laser Head	12.5 lbs (5.7 kg)
Power Supply	7 lbs (3.18 kg)

### Notes

1. Specifications subject to change without notice.
2. When used with LDI 9471-01 or NLC 2271-01 power supply.
3. Measurements taken in light control after 5 minute warm-up.



**NLC REFURBISHED LGK PRODUCT LINE LAYOUT DRAWING**



**LDI 9471-01 POWER SUPPLY LAYOUT DRAWING**



Below is a list of troubleshooting tips to help you with any questions or problems you may have regarding your NLC product. If your question isn't answered here, contact our customer service department for help.

Trigger does not audibly click to light laser head

1. Check the interlock circuit. On most power supplies, this may be done by checking that the green interlock light is still lit after 2 minutes.
2. Make sure that all connections to the power supply and power source are securely attached
3. Make sure the emission key switch is turned to the fully CW position.
4. Make sure the input voltage is correct and is adequate for running the laser.  
(If all the above checks out, contact NLC)

An Audible click is heard but the head fails to light

1. Verify all connections are securely fastened
2. Make sure the input voltage is correct  
(If all the above checks out, contact NLC)

Insufficient or low power

1. Verify that the aperture at the front of the laser head is in the fully open position.
2. Verify that the power supply mode switch (if applicable) is in light control mode
3. Check that the current is not above 9 amps
4. Check that customer requirements do not exceed rated head output.

Standard operating specifications may be found in user's manuals, datasheets, or the NLC website. ([www.nationallaser.com](http://www.nationallaser.com))

Head lights but shuts down in a short period of time (30 seconds to ten minutes)

1. Check that the cooling fan is drawing air through the head.
2. Check that the green interlock light on the power supply (if applicable) is lit. If not, a possible thermal failure exists.
3. If the head shuts down due to thermal failure, the system must be completely shut down and re-energized.

**CUSTOMER SERVICE DEPARTMENT**

In the event that further assistance is required regarding any product of National Laser Company, please direct you questions to the customer service department of:

National Laser Company  
175 West 2950 South  
Salt Lake City, UT 84115 USA  
Tel: 801 467-3391  
Fax: 801 467-3394  
Email: laser@nationallaser.com  
www.nationallaser.com

**WARRANTY INFORMATION***NOTICE:*

The warranty information contained in this section is intended for use as a general reference. Specific warranty information can be found in the customer service contract. The terms of the contract take precedence over the warranty information contained herein.

*LIMITED WARRANTY FOR NATIONAL LASER COMPANY PRODUCTS*

NATIONAL LASER COMPANY ("NLC") expressly warrants its:

Refurbished LGK product line to be free from defects in materials or workmanship for five-thousand (5,000) hours of operation or a period of twelve (12) Months from the date the laser head is first shipped, whichever comes first.

*LIMITATION OF REMEDY*

The exclusive remedy available under this warranty shall be the repair of any defects in an NLC product caused by inadequate workmanship or materials or the replacement of the defective material, so long as the following conditions precedent are satisfied by the customer:

1. The defective product shall be returned to NLC in accordance with instructions given by NLC and after a return authorization number has been issued to the customer by NLC
2. The warranty shall be limited to inherent defects in the product and shall not extend to any damage caused by improper use or handling by the customer or due to operating conditions outside of standard operating specifications.
3. The warranty shall be void if the original product identification markings have been removed, defaced or altered, or if any parts have been substituted, changed, or modified without the express written consent of NLC.
4. The customer's general account with NLC is current and not delinquent in whole or in part.

## *DISCLAIMER OF IMPLIED WARRANTY*

THE FOREGOING IS IN LIEU OF ALL OTHER WARRANTIES, EXPRESS OR IMPLIED, AND THERE ARE NO WARRANTIES OF MERCHANTABILITY OR FITNESS OR ANY OTHER REMEDIES AVAILABLE OTHER THAN AS EXPRESSED HEREIN.

## **RETURNS, ADJUSTMENTS AND SERVICING**

If a customer requests a warranty or general repair on an NLC product, and NLC has authorized its return, the repair or service will be subject to the following conditions:

1. The product must be packed in the original shipping container. Additional shipping containers may be purchased from NLC, if needed.
2. The product shall be shipped back to NLC by air freight unless another means of transportation is specified in writing by NLC. Freight and insurance charges must be prepaid by the customer and all risk of loss, damage or delay in shipping shall be borne solely by the customer. Shipments will be insured for full value.
3. After the receipt of the product, NLC reserves the right to inspect the product and to determine the cause of failure and whether the repair or replacement should be completed under warranty. NLC SHALL HAVE NO OBLIGATION TO PERFORM A WARRANTY REPAIR WHERE THE PRODUCT HAS SUFFERED DAMAGE IN SHIPMENT THAT PREVENTS A VERIFICATION BY NLC THAT THE CAUSE OF EXISTENCE OF THE DEFECT IS COVERED UNDER WARRANTY.
4. If NLC determines a product is to be repaired under warranty, it will be repaired or replaced, in accordance with the terms of the NLC warranty. Products repaired under warranty will be shipped to locations within the United States at customer expense. Shipping, insurance, taxes, duties, and all other charges shall be charged to the customer if the product is returned to a location outside of the United States; provided that if the product fails within 30-days of the customer's receipt of the product and the customer gives written notice of the failure to NLC within said 30-day period, NLC will pay the cost of shipping the replacement product to the customer.
5. If NLC determines that the repair or service of a product is not to be completed under warranty, the customer will be advised and a purchase order from the customer for the repair work or service work will be required before NLC will commence the repair or service work on the product.



**National Laser Company**  
175 West 2950 South  
Salt Lake City, Utah 84115 USA  
Tel: 801 467-3391  
Fax: 801 467-3394  
Email: [laser@nationallaser.com](mailto:laser@nationallaser.com)  
[www.nationallaser.com](http://www.nationallaser.com)

NLC Document #: 4.19.A.WI.19 REV B  
Printed December 2009 in U.S.A.